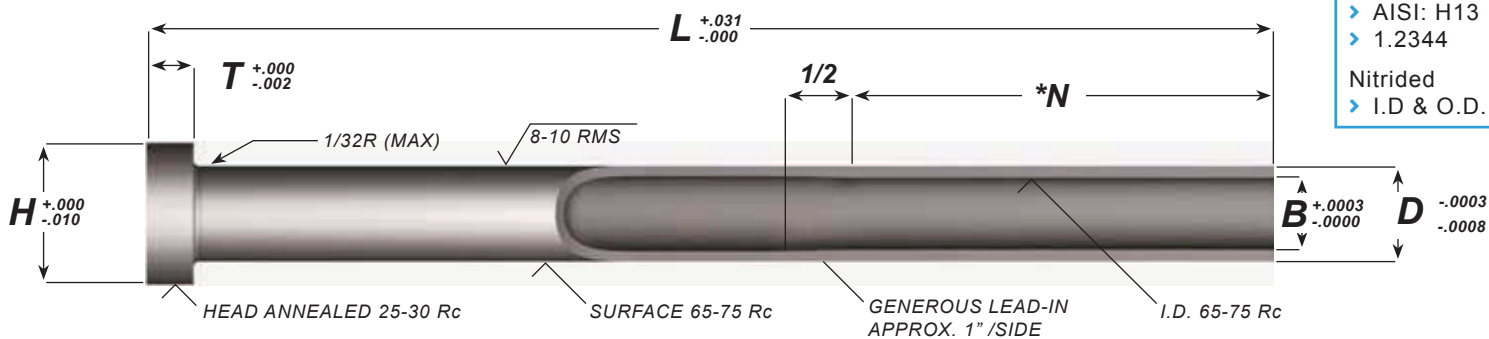




EJECTOR SLEEVES

NITRIDED — PARALLEL — INCH



Material
 > AISI: H13
 > 1.2344
 Nitrided
 > I.D & O.D.

B I.D.	D O.D.	Cat. No.	L												H	T
			3"	4"	5"	6"	7"	8"	9"	10"	11"	12"	13"	14"		
3/32	3/16	SE02	L03	L04	L05	L06	L07	L08							3/8	3/16
1/8	7/32	SE03	L03	L04	L05	L06	L07	L08	L09	L10	L11	L12	L13	L14	13/32	3/16
5/32	1/4	SE04		L04	L05	L06	L07	L08	L09	L10	L11	L12	L13	L14	7/16	3/16
3/16	5/16	SE05		L04	L05	L06	L07	L08	L09	L10	L11	L12	L13	L14	1/2	1/4
7/32	11/32	SE55		L04	L05	L06	L07	L08	L09	L10	L11	L12	L13	L14	9/16	1/4
1/4	3/8	SE06		L04	L05	L06	L07	L08	L09	L10	L11	L12	L13	L14	5/8	1/4
5/16	7/16	SE07		L04	L05	L06	L07	L08	L09	L10	L11	L12	L13	L14	11/16	1/4
3/8	1/2	SE08		L04	L05	L06	L07	L08	L09	L10	L11	L12	L13	L14	3/4	1/4
7/16	5/8	SE09		L04	L05	L06	L07	L08	L09	L10	L11	L12	L13	L14	7/8	1/4
1/2	11/16	SE10		L04	L05	L06	L07	L08	L09	L10	L11	L12	L13	L14	15/16	1/4
9/16	3/4	SE11		L04	L05	L06	L07	L08	L09	L10	L11	L12	L13	L14	1	1/4
5/8	7/8	SE12		L04	L05	L06	L07	L08	L09	L10	L11	L12	L13	L14	1-1/8	1/4
3/4	1	SE13		L04	L05	L06	L07	L08	L09	L10	L11	L12	L13	L14	1-1/4	1/4

- > To order, add overall length "L" to Catalog Number. Example: SE02L03
- > Sizes marked in **BLUE** print are available, but generally not stocked. Call for price and delivery.
 Example: SE02L08 *(N) = 1-3/4 for SE02 and SE03 *(N) = 2-1/4 for SE04 and larger.

EXTRA LONG EJECTOR SLEEVES

INCH STANDARD

B I.D.	D O.D.	Cat. No.	L				H	T
			15"	16"	17"	18"		
5/32	1/4	SE04	L15	L16	L17	L18	7/16	3/16
3/16	5/16	SE05	L15	L16	L17	L18	1/2	1/4
7/32	11/32	SE55	L15	L16	L17	L18	9/16	1/4
1/4	3/8	SE06	L15	L16	L17	L18	5/8	1/4
5/16	7/16	SE07	L15	L16	L17	L18	11/16	1/4
3/8	1/2	SE08	L15	L16	L17	L18	3/4	1/4
7/16	5/8	SE09	L15	L16	L17	L18	7/8	1/4
1/2	11/16	SE10	L15	L16	L17	L18	15/16	1/4
9/16	3/4	SE11	L15	L16	L17	L18	1	1/4
5/8	7/8	SE12	L15	L16	L17	L18	1-1/8	1/4
3/4	1	SE13	L15	L16	L17	L18	1-1/4	1/4

NEW

N=2-3/8" for SE04

N=2-3/4" for SE05, SE55

N=3-1/4" for SE06 thru SE13